



RACKBOOST **Dynamic**

Scalability and extremely high availability

hosting
support
consulting



RACKBOOST Dynamic

RACKBOOST, SETTING THE TONE SINCE 1999

RACKBOOST has been a leading Belgian supplier of technically advanced managed hosting solutions since 1999. Rackboost has a proven reputation as a supplier of reliable, scalable solutions to its customers.

The combination of continual investment in the latest technologies and striving to achieve the highest level of guaranteed uptime enables RACKBOOST to act as a trustworthy supplier of flexible, fast, secure and stable solutions.

RACKBOOST Dynamic: scalability and extremely high availability

CONVENTIONAL SYSTEMS DELIVER LOW SCALABILITY AND ROI

Your company is becoming increasingly dependent on the server infrastructure in data centres. The demand is constantly increasing, which means you have to constantly install more infrastructure. Dedicated servers can quickly prove to be expensive, slow and inflexible components that make it difficult to align your infrastructure to your specific requirements.

A study has shown that on average 50% of all dedicated server capacity remains unused, which means that money is spent unnecessarily on unused processing capacity, software licenses, and empty storage capacity. Furthermore, every time you want to expand or extend your infrastructure, it costs your organisation a tremendous effort to perform the planning and implementation activities. As result, you are sometimes compelled to continue using outdated hardware and applications despite a constant influx of newer, faster and more energy-efficient options on the market that would enable your organisation to grow even faster.

RACKBOOST DYNAMIC

RACKBOOST Dynamic is an enterprise server environment that grows with your organisation, flexibly and economically. This solution enables you to respond quickly to new projects and opportunities whenever they arise. Additional servers can be added quickly without any impact on your operating production environment. You only pay for the resources that you currently need. Dynamic offers a broad spectrum of additional options for considerably increasing the availability and scalability of your server infrastructure, so you can fully optimise it and stop wasting money on unnecessary hardware, software, power costs, and services.

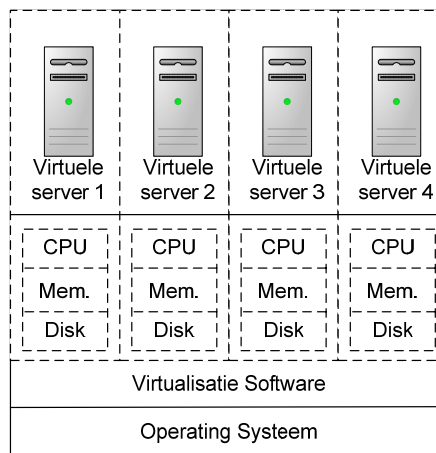


VIRTUALISATION

In the past, you set up a server by installing a physical machine and an operating system. With virtualisation, the hardware environment is simulated so that different virtual servers can operate side by side on a single physical server machine.

Several virtual machines share the same hardware without affecting each other. In terms of administration, the installed applications and other machines on the network, there is no difference between a virtualised server and a dedicated server.

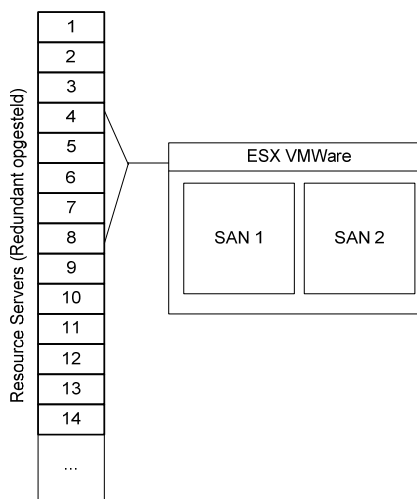
Each virtualised server is assigned the same properties (disk space, RAM and CPU) as a conventional dedicated server.



VIRTUALISATION AT THE ENTERPRISE LEVEL

RACKBOOST Dynamic is based on the traditional principles of virtualisation, but it rolls out this concept with a state-of-the-art enterprise topology.

- **High performance:** This is provided by a cluster of the most powerful servers currently available.
- **Redundancy: all components in this topology are fully redundant and designed for high availability.** As a result, hardware failures can be handled easily without any downtime.
- **Centralised management:** Centralised management of your virtual environment yields higher efficiency and makes optimisation of the environment easier.
- **SAN storage:** Data can be stored on two different storage arrays. The main advantages of handling data this way are nearly unlimited scalability, centralised storage, and high availability. You can choose between storage for servers that need standard I/O and servers that need ultra high-performance I/O.
- **Reliable operational partners:** RACKBOOST Dynamic is built entirely using hardware and software from top market leaders, such as Dell, VMWare, Microsoft, Cisco, and Juniper.
- **Maintenance:** RACKBOOST has top-notch SLAs with its suppliers, along with maintenance contracts and software update programmes.



RACKBOOST offers a choice of two SAN storage systems:

E-Type SAN

Cost effective storage for low I/O applications.

- iSCSI DELL PS5500E chassis
- 48 x 1TB 7.2k RPM SATA
- Volume - RAID 5
- 3 x Gbps redundant Ethernet XV-Type SAN

Very fast storage for applications requiring high I/O

- iSCSI DELL PS5000XV chassis
- 16 x 300G 15k RPM SAS
- Volume - RAID 10
- 3 x Gbps redundant Ethernet

YOUR BENEFITS

Scalability thanks to dynamic servers

As your organisation grows and needs more resources (RAM, CPU and disk space), they can be allocated dynamically and extremely quickly. This does not require any migration of your applications or restarting of your server.

You do not have to purchase unnecessary capacity in advance to accommodate potential growth. The capacity is adjusted dynamically as necessary. By allocating resources when they are needed, you increase your ROI.

Cost-effectiveness with dynamic resource pools

Our resource pools enable you to host a server park in our virtual environment.. All of your application servers, web servers, e-mail servers and FTP servers are hosted in a single resource pool.

You purchase a single pool for all of your servers, and you can distribute these resources over the various servers as necessary.

Increased reliability

The fully redundant network and hardware setup leads to increased reliability. Managing and monitoring all of the servers from a single console enables improved control.

